

**ROOMREADY WALL MOUNT KIT FOR
CISCO ROOM NAVIGATOR FOR TABLE**

**MFR PART # PWD-RRNAVIGATORWMK
ANIXTER #**

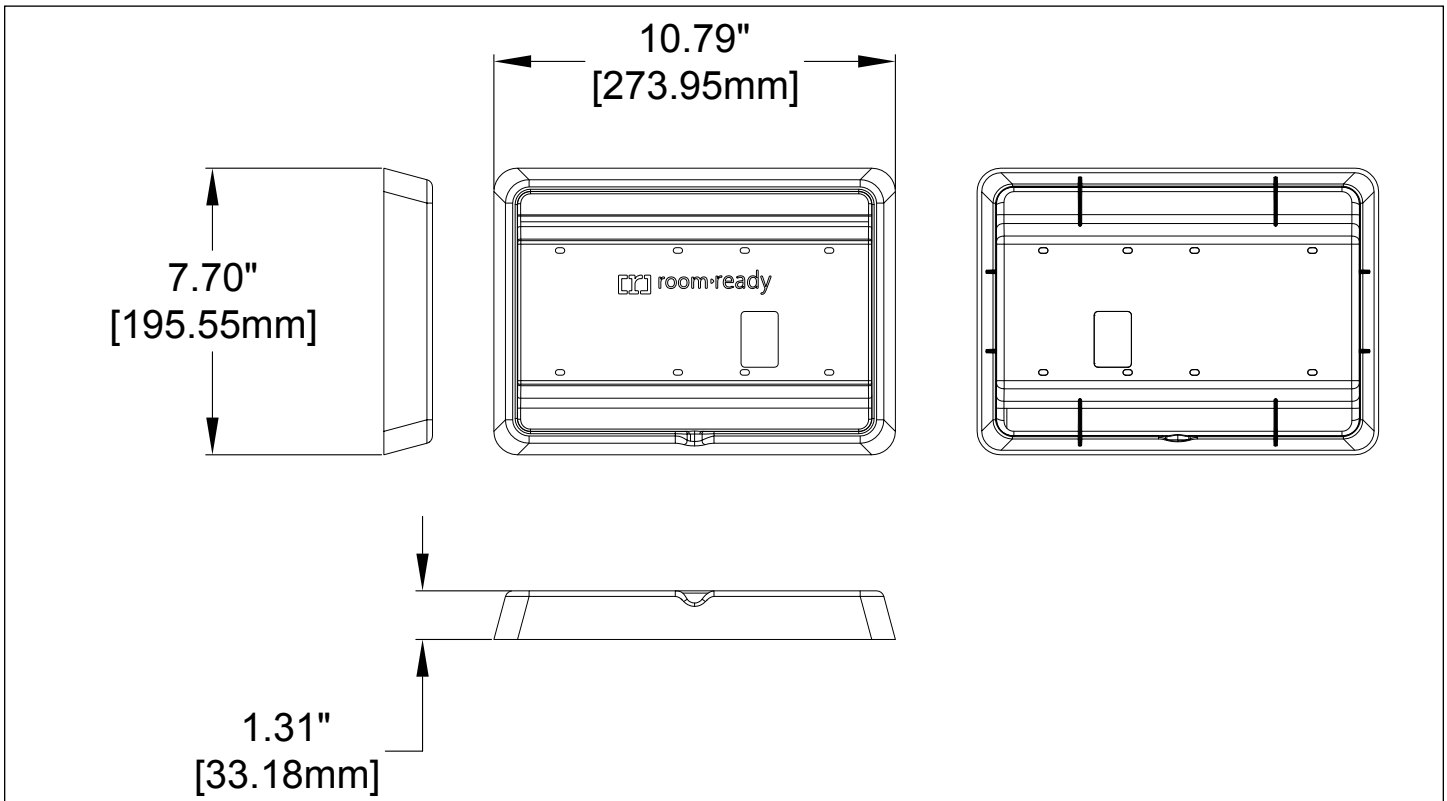


SPECIFICATIONS	
DIMENSIONS	10.79" X 7.79" X 1.31" (273.95mm X 195.55 X 33.18)
WEIGHT	2.5 LBS (1.13398KG)
TOUCH PANEL COMPATIBILITY	CISCO WEBEX ROOM NAVIGATOR (TABLE)
MOUNTING REQUIREMENTS	2 GANG JUNCTION BOX OR 5 GANG JUNCTION BOX
MATERIAL	POLYCARBONATE PLASTIC
FINISH	WHITE
MFR PART #	PWD-RRNAVIGATORW-MK
ANIXTER #	
ADA COMPLIANT	YES

FEATURES:

- Compatible with Cisco Room Navigator for Table (CS-T10-TS-L-K9=) touch panel.
- Can be mounted with 2 gang or 5 gang junction box.
- Allows user to move touch panel from table to the wall for a wire-free user experience.
- Includes all necessary hardware for mounting.

ROOMREADY SET - 49"+ STANDARD DIMENSIONAL DRAWINGS



room•ready™
We innovate. You collaborate.

For more information
Visit us at www.roomready.com
Contact us by email: sales@roomready.com

© 2024 RoomReady
ALL RIGHTS RESERVED
Wall Mount Kit for Cisco Room
Navigator Touch Panel
09/2024